

THE COMBINATION OF COMFORT AND STRENGTH.

FBC15N-FBC18N

3,000 - 3,500 LB CAPACITY
ELECTRIC FORKLIFT TRUCK



1. High Performance

Excellent Performance

The PM-1000 AC control system optimizes power and energy efficiency, while also reducing maintenance costs and wear on critical components.

Five Pre-Programmed Performance Modes

From the warehouse to the loading dock, performance can be matched to the application, allowing operators to stay focused on the task at hand.

2. Smart

Added Protection

The Integrated Presence System (IPS) helps manage risk by disengaging the drive and hydraulic functions when the operator leaves the normal operating position.

Increased Productivity

The pressure-sensing hydraulic control valve helps to reduce heat and stress on the hydraulic components, resulting in greater uptime and increased productivity in your application.

3. Comfortable

Enhanced Ergonomics

From the contoured vinyl seat to its full tilt steering column, this forklift was designed for optimal comfort during long shifts – ensuring maximum productivity all day long.

Easy Entry And Exit

Three-point access into the truck with the low open step, grab bar and wrapped steel hip restraints offers convenient entry and exit into the operator's compartment.

4. Flexible

Versatile Power

This forklift can be configured to operate with either a 36 or 48 volt battery. A "fast charge" option is also available, allowing customers to convert from conventional charging methods to fast charge for greater productivity.

Adjustable Design

Optional overhead guard heights and widths are available to meet a variety of application requirements, such as low door heights and drive-in rack applications.



CHARACTERISTICS				FBC15N		FBC18N	
1	Capacity at rated load center	lb	kg	3,000	1,500	3,500	1,800
2	Load center - distance from fork face	in	mm	24	500	24	500
3	Power			electric		electric	
4	Tire type			cushion		cushion	
5	Wheels (x=driven)			2x / 2		2x / 2	
DIMENSIONS							
6	Maximum fork height with standard two-stage mast	in	mm	130	3,320	130	3,320
7	Free fork height with standard two-stage mast	in	mm	4.5	115	4.5	115
8	Forks – length x width x thickness	in	mm	42.0x3.9x1.4	1,070x100x35	4.2x3.9x1.4	1,070x100x35
9	Fork spacing – out-to-out minimum / maximum	in	mm	9.4 / 32.0	240 / 818	9.4 / 32.0	240 / 818
10	Tilt angle, forward / backward	deg		5° / 6°		5° / 6°	
11	Length to fork face	in	mm	78.0	1,980	78.0	1,980
12	Overall width, standard	in	mm	37.0	945	37.0	945
13	Overall width, wide stance drive tires	in	mm	39.0	996	39.0	996
14	Overall lowered height (mast)	in	mm	83.0	2,105	83.0	2,105
15	Seat height	in	mm	48.0	1,220	48.0	1,220
16	Overall lowered height to top of overhead guard	in	mm	86.0	2,180	86.0	2,180
17	Overall height with extended mast	in	mm	180	4,570	180	4,570
18	Minimum outside turning radius	in	mm	70.5	1,790	70.5	1,790
19	Load moment constant	in	mm	14.8	376	14.8	376
20	Minimum aisle – 90° stack – zero clearance without load	in	mm	85.0	2,165	85.0	2,165
PERFORMANCE							
21	Travel speed – 36 V	mph	kph	10.2 / 11.2	16.4 / 18.0	9.3 / 10.8	14.9 / 17.3
22	loaded / empty 48 V	mph	kph	11.3 / 11.3	18.2 / 18.2	11.3 / 11.3	18.2 / 18.2
23	Lift speed – 36 V	fpm	m/s	75.0 / 106	0.38 / 0.54	71.0 / 106	0.36 / 0.54
24	loaded / empty 48 V	fpm	m/s	104 / 140	0.53 / 0.71	96.0 / 140	0.49 / 0.71
25	Lower speed – 36 V	fpm	m/s	98.0 / 81.0	0.50 / 0.41	98.0 / 81.0	0.50 / 0.41
26	loaded / empty 48 V	fpm	m/s	98.0 / 81.0	0.50 / 0.41	98.0 / 81.0	0.50 / 0.41
27	Gradeability – 36 V	%		24.0		21.0	
28	loaded at 1mph (1.6 kph) 48 V	%		25.0		22.0	
29	Gradeability – 36 V	%		23.0		19.0	
30	empty (maximum) 48 V	%		23.0		19.0	
WEIGHT							
31	Truck weight – empty with minimum weight battery	lb	kg	6,200	2,825	6,800	3,075
32	Axle load with rated load – front / rear	lb	kg	8,000 / 1,200	3,750 / 570	8,800 / 1,480	4,200 / 660
33	Axle load without load – front / rear	lb	kg	2,500 / 3,725	1,130 / 1,690	2,320 / 4,425	1,050 / 2,010
CHASSIS							
34	Tire size, front (standard)	in	mm	18.0x6.0x12.2	457x152x308	18.0x6.0x12.2	457x152x308
35	Tire size, rear	in	mm	14.0x4.5x8.0	356x114x203	14.0x4.5x8.0	356x114x203
36	Wheelbase	in	mm	46.0	1,170	46.0	1,170
37	Tread width, front (standard)	in	mm	31.0	793	31.0	793
38	Tread width, rear	in	mm	32.5	826	32.5	826
39	Ground clearance at lowest point of mast	in	mm	3.0	75.0	3.0	75.0
40	Ground clearance at center of wheelbase	in	mm	4.6	118	4.6	118
41	Service brake			foot-operated, hydraulic		foot-operated, hydraulic	
42	Parking brake			hand-operated, mechanical		hand-operated, mechanical	
POWERTRAIN							
43	Battery type			lead-acid		lead-acid	
44	Battery, maximum capacity at 6 hour discharge rate – 36 V	Ah	kWh	880	31.7	880	31.7
45	Battery, maximum capacity at 6 hour discharge rate – 48 V	Ah	kWh	770	37.0	770	37.0
46	Battery, minimum weight	lb	kg	1,650	750	1,650	750
47	Traction output (60 minute rating) – 36 V / 48 V	HP	kW	8.3 / 9.2	6.2 / 6.8	8.3 / 9.2	6.2 / 6.8
48	Lift output (20% rating) – 36 V / 48 V	HP	kW	9.9 / 15.7	7.4 / 11.7	9.9 / 15.7	7.4 / 11.7
49	Drive controls			AC transistor		AC transistor	
50	Hydraulic controls			AC transistor		AC transistor	
51	Relief pressure for attachments at auxiliary	psi	bar	2,250	155	2,250	155

SAFETY STANDARDS

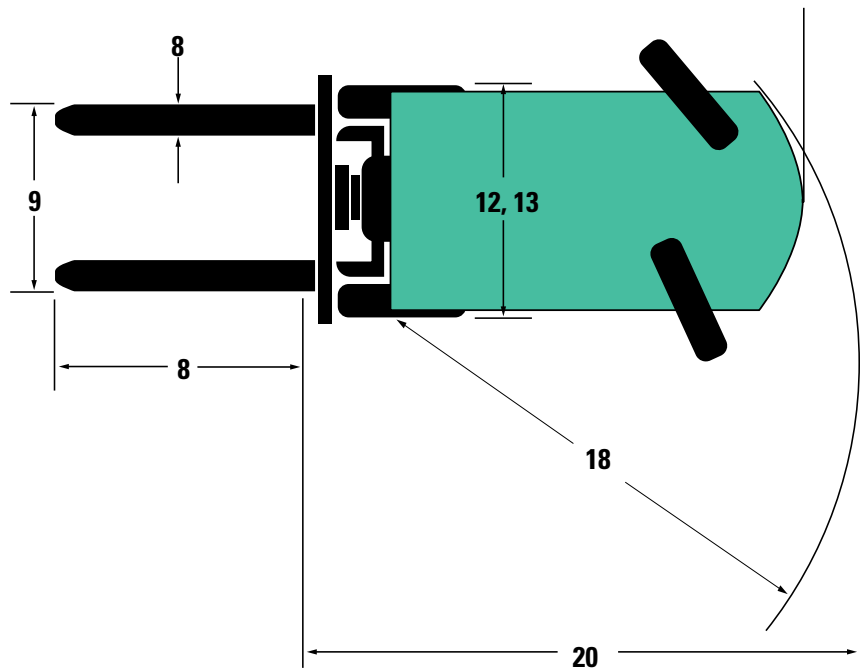
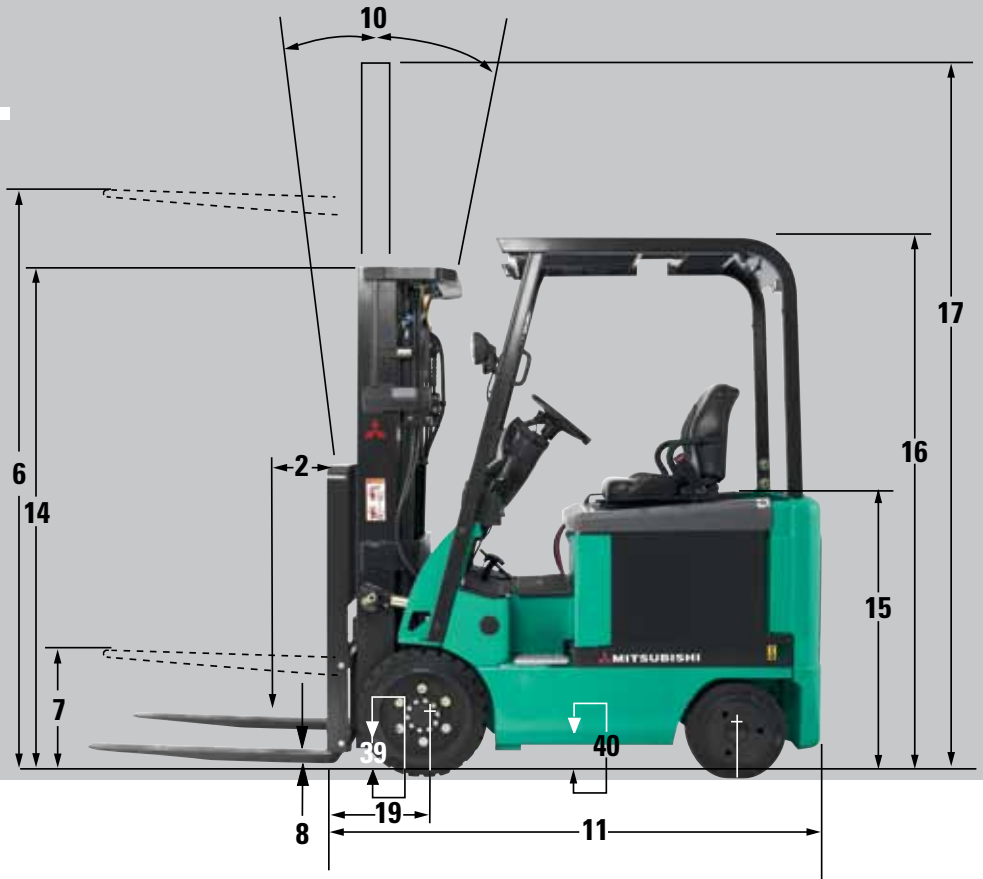
These trucks meet American National Standards Institute/Industrial Truck Standards Development Foundation, ANSI/ITSDF B56.1. UL-Classified by Underwriters Laboratories, Inc., as to fire and electric shock hazard only; Type E, EE (optional), Industrial Trucks. Users should be aware of, and adhere to, applicable codes and regulations regarding operator training, use, operation and maintenance of powered industrial trucks, including:

- ANSI/ITSDF B56.1.
- NFPA 505, fire safety standard for powered industrial trucks -type designations, areas of use, maintenance and operation.
- Occupational Safety and Health Administration (OSHA) regulations that may apply.

Specifications, equipment, technical data, photos and illustrations based on information at time of printing and subject to change without notice. Some products may be shown with optional equipment.

Call-out numbers shown in the diagram below correspond to the first column of the specifications chart.

FBC15N- FBC18N



FBC15N-FBC18N

3,000 - 3,500 LB CAPACITY ELECTRIC FORKLIFT TRUCK

Flexible Operation

1. The One-Truck-Fits-All Solution

When equipped with optional quad masts, along with a variety of load handling options, this forklift can easily move loads directly between trailers and warehouse storage racks.

2. The Specific Solution

If you're working in an application that requires added protection in hazardous or combustible environments, this forklift can be configured with an optional UL type EE rating.

3. All-Day Comfort

Whether working on rough floors, long hours or under tough conditions, this forklift can be customized for day-long comfort. This series offers additional premium ergonomics with optional full-suspension seat and rubber floor mats.

4. Your Personal Solution

With a variety of mast, fork, hydraulic, overhead guard and axle/tire options available, this forklift can be tailored to the specific needs of your application.



1.



2.



3.



4.

Manufactured with superior quality and exceptional value, Mitsubishi forklift trucks are supported by an extensive dealer and field support network located throughout North and South America. Don't forget to ask your local Mitsubishi forklift truck dealer about details on factory retail programs, financing plans and additional options and dealer services like planned maintenance and operator training.



Copyright © 2013. All rights reserved. All registered trademarks are the property of their respective owners. Some products may be shown with optional equipment.

