



PNEUMATIC TIRE FORKLIFT
3,000-7,000 LB CAPACITY LP GAS, GASOLINE AND DIESEL MODELS
YOUR GO-TO PNEUMATIC TIRE FORKLIFT TRUCK



COMFORT COMES STANDARD.

STEP INTO THE OPERATOR COMPARTMENT OF AN FG15N-FG35N / FD20N-FD35N



Comfortable Operator Compartment:

With three-point access, operators of any size can easily enter the operator compartment of these Mitsubishi forklift trucks. The large floor space provides maximum operator comfort, especially during long shifts, while the “through the floor” pedal design further reduces operator fatigue and discomfort throughout the day.

Ergonomic Seat: The FG15N-FG35N / FD20N-FD35N forklift series features seats with adjustable forward and backward movement, added side support in the back cushion and an anti-cinch seat belt, creating a comfortable work environment for operators of varying heights. An optional full-suspension seat is available on these models for additional support during long shifts.

Enhanced Operator Visibility:

From the standard lighting package, which includes two forward halogen work lights, to the lack of crossbars in the overhead guard, the design of the forklift allows for improved visibility in all directions during operation.

Adjustable Steering: The forklift’s steering column is equipped with standard memory tilt steering. Allowing for infinite adjustment in a 12 degree range, the steering column’s “memory” feature retains the operator’s preferred settings for added convenience and comfort during operation.

- Designed for operator comfort
- Adjustable seating for flexibility
- Enhanced visibility
- Memory tilt steering

All come together to create a working environment that reduces fatigue through even the longest shifts.

Every operator is different, so the key to creating a comfortable shift is a flexible design.



The FG15N-FG35N / FD20N-FD35N series is built to help protect the operator and surrounding personnel. Each unit comes standard with the Integrated Presence System (IPS), which is designed to disengage all powered travel and some hydraulic functionality when the operator leaves the normal operating position. Additionally, warning alarms sound and indicators are shown on the display panel, informing the operator and surrounding personnel that the system is engaged.



Features	Standard	Optional
Ergonomic seat	●	
Memory tilt steering column	●	
Integrated Presence System	●	
Two forward work lights	●	
Full-suspension seat		●
Swivel seat package		●
Swing-down LP tank bracket		●

Ask your local dealer about the available options for improved performance, productivity and operator comfort.

PERFORMANCE AND SERVICE.

QUALITY COMPONENTS AND EASY MAINTENANCE MEAN INCREASED UPTIME



- Smooth powerful engines
- Enhanced engine protection
- Reliable components
- Easy service access
- Flexible options

These forklifts are built to perform from the ground up.

Efficient From The Inside Out:

Powered by enviro₂ engines™, these forklifts offer the power you need with a smooth ride. Balanced for low noise and vibration, the operator will experience increased comfort and productivity in many applications. The drive-by-wire throttle control allows for enhanced efficiency, reduced emissions and responsive acceleration, while the exhaust system provides a three-way catalyst that lowers the amount of emissions released into the environment.



Cool And Quiet: The forklift's fan and radiator system is equipped with a horizontal cross flow cooling system to help keep the engine cool and functioning at peak performance. The corrugated design provides optimal heat exchange, while the aluminum core helps to prevent corrosion. The direct drive fan also reduces noise and necessary maintenance, benefiting your operators and your business.

Engine Protection: Regulated by the Vehicle Control Module, the Engine Protection System keeps the truck running at desirable levels while helping to prevent damage to the forklift, saving you money. If any of the vital fluids becomes critically low, RPM levels are automatically lowered and the operator is immediately notified by a light on the dash display.

Easy Service Access: Tool-free access to the engine compartment makes routine maintenance, such as cleaning radiator fins, much easier. Additionally, the Vehicle Control Module is conveniently located under the dashboard cup holder, making it readily accessible.



Additional options are available to customize the forklift for your application:

- Bottler's Tilt
- Service Indicator Package
- Warning Lights
- Dust/Fiber Protection Package
- Debris Resistance Package



CHARACTERISTICS			FG15N		FG18N		FG20CN		FG20N	
1	Capacity at rated load center	lb kg	3,000	1,500	3,500	1,750	4,000	2,000	4,000	2,000
2	Capacity at load center – distance	in mm	24	500	24	500	24	500	24	500
3	Power		gasoline / LP gas		gasoline / LP gas		gasoline / LP gas		gasoline / LP gas	
4	Tire type		pneumatic		pneumatic		pneumatic		pneumatic	
5	Wheels (x = driven)		2x / 2		2x / 2		2x / 2		2x / 2	
DIMENSIONS										
6	Maximum fork height – with standard two-stage mast	in mm	130	3,300	130	3,300	131	3,330	131	3,330
7	Free fork height – with standard two-stage mast	in mm	4.5	115	4.5	115	4.7	120	5.5	140
8	Fork dimensions – length x width x thickness	in mm	42 x 4 x 1.4	1,070 x 100 x 35	42 x 4 x 1.4	1,070 x 100 x 35	42 x 4 x 1.6	1,070 x 100 x 40	42 x 4 x 1.6	1,070 x 100 x 40
9	Fork spacing, out-to-out minimum / maximum	in mm	7.9 / 36.2	200 / 920	7.9 / 36.2	200 / 920	7.9 / 36.2	200 / 920	8.7 / 39.4	220 / 1,000
10	Tilt, forward / backward	deg	6 / 10		6 / 10		6 / 10		6 / 10	
11	Length to fork face	in mm	89.0	2,260	90.6	2,300	92.7	2,355	97.8	2,485
12	Overall width with standard tires	in mm	42.0	1,070	42.0	1,070	42.0	1,070	45.5	1,160
13	Overall width with optional duals	in mm	N / A		N / A		N / A		64.5	1,640
14	Height with lowered mast	in mm	84.5	2,150	84.5	2,150	84.5	2,150	84.5	2,150
15	Seat height	in mm	42.6	1,080	42.6	1,080	42.6	1,080	42.6	1,080
16	Height to top of overhead guard	in mm	81.3	2,065	81.3	2,065	81.3	2,065	81.7	2,074
17	Height with extended mast	in mm	180	4,570	180	4,570	180	4,570	180	4,570
18	Minimum outside turning radius	in mm	76.8	1,950	78.0	1,980	79.5	2,020	86.5	2,200
19	Load moment constant	in mm	15.7	400	15.7	400	16.3	415	17.9	454
20	Minimum aisle – 90° stack – zero clearance without load	in mm	92.5	2,350	93.7	2,380	95.8	2,435	104.4	2,654
PERFORMANCE										
21	Travel speed, loaded / empty	mph km/h	11.8 / 12.1	19.0 / 19.5	11.8 / 12.1	19.0 / 19.5	11.8 / 12.1	19.0 / 19.5	11.8 / 12.1	19.0 / 19.5
22	Lift speed, loaded / empty	fpm mm/s	120 / 125	620 / 630	120 / 125	620 / 630	120 / 125	620 / 630	125 / 130	630 / 650
23	Lowering speed, loaded / empty	fpm m/s	98 / 98	500 / 500	98 / 98	500 / 500	98 / 98	500 / 500	98 / 98	500 / 500
24	Drawbar pull loaded (60-minute rating)	lb N	3,749	16,677	3,749	16,677	3,639	16,187	3,705	16,481
25	Drawbar pull loaded maximum (5-minute rating)	lb N	3,970	17,658	4,367	19,424	4,234	18,835	4,234	18,835
26	Gradeability loaded at 1 mph (1.6 km)	%	47.4		41.7		35.1		33.6	
27	Gradeability maximum, loaded / empty	%	38.8 / 18.2		38.5 / 15.9		38.0 / 14.3		39.1 / 18.5	
WEIGHT										
28	Empty	lb kg	5,650	2,560	6,070	2,750	6,750	3,040	7,370	3,340
29	Axle load with rated load, front / rear (est.)	lb kg	7,710 / 940	3,620 / 440	8,460 / 1,110	3,980 / 520	9,370 / 1,380	4,390 / 650	9,950 / 1,420	4,660 / 685
30	Axle load without load, front / rear (est.)	lb kg	2,490 / 3,160	1,130 / 1,430	2,370 / 3,700	1,080 / 1,670	2,390 / 4,360	1,080 / 1,960	3,240 / 4,130	1,470 / 1,870
CHASSIS										
31	Tire size – front (standard)	in	6.50 x 10-10PR		6.50 x 10-10PR		6.50 x 10 / 5.00 Solid		7.0 x 12-12PR	
32	Tire size – front (optional duals)	in	N/A		N/A		N/A		7.0 x 12-12PR	
33	Tire size – rear	in	5.0 x 8-8PR		5.0 x 8-8PR		5.0 x 8 / 3.00 Solid		6.0 x 9-10PR	
34	Wheelbase	in mm	55.0	1,400	55.0	1,400	55.0	1,400	63.0	1,600
35	Tread width – front (standard tires)	in mm	35.0	890	35.0	890	35.0	890	38.0	970
36	Tread width – front (optional duals)	in mm	N/A		N/A		N/A		47.5	1,210
37	Tread width – rear	in mm	35.5	900	35.5	900	35.5	900	38.5	980
38	Ground clearance at lowest point of mast	in mm	4.3	110	4.3	110	4.3	110	4.6	117
39	Ground clearance at center of wheelbase	in mm	6.0	152	6.0	152	6.0	152	6.6	167
40	Service brakes	type	foot-operated, hydraulic		foot-operated, hydraulic		foot-operated, hydraulic		foot-operated, hydraulic	
41	Parking brakes	type	hand-operated, mechanical		hand-operated, mechanical		hand-operated, mechanical		hand-operated, mechanical	
ELECTRICAL										
42	Engine model		K21		K21		K21		K21	
43	Continuous output S.A.E. gross	HP kW	50.3	37.5	50.3	37.5	50.3	37.5	50.3	37.5
44		at rpm	2,700		2,700		2,700		2,700	
45	Maximum torque S.A.E. gross	lb-ft Nm	111	151	111	151	111	151	111	151
46		at rpm	1,800		1,800		1,800		1,800	
47	Cylinders / displacement	cu in L	126	2.1	126	2.1	126	2.1	126	2.1
48	Transmission type		powershift		powershift		powershift		powershift	
49	Number of speeds, forward / reverse		1 / 1		1 / 1		1 / 1		1 / 1	
50	Relief pressure for attachments	psi bar	2,625	181	2,625	181	2,625	181	2,625	181
51	Noise level – mean value at operator's ear Leq	dB(A)	73.5		73.5		73.5		76.5	

SAFETY STANDARDS

These trucks meet American National Standards Institute/Industrial Truck Standards Development Foundation, ANSI/ITSDF B56.1. UL-Classified by Underwriters Laboratories, Inc., as to fire and electric shock hazard only. Availability: Types G, LP and D standard. Types GS, LPS and DS optional. Users should be aware of, and adhere to, applicable codes and regulations regarding operator training, use, operation and maintenance of powered industrial trucks, including:

- ANSI/ITSDF B56.1.
- NFPA 505, fire safety standard for powered industrial trucks -type designations, areas of use, maintenance and operation.
- Occupational Safety and Health Administration (OSHA) regulations that may apply.

Specifications, equipment, technical data, photos and illustrations based on information at time of printing and subject to change without notice. Some products may be shown with optional equipment.

FD20N		FG25N		FD25N		FG30N		FD30N		FG33N	
4,000	2,000	5,000	2,500	5,000	2,500	6,000	3,000	6,000	3,000	6,500	3,250
24	500	24	500	24	500	24	500	24	500	24	500
diesel		gasoline / LP gas		diesel		gasoline / LP gas		diesel		gasoline / LP gas	
pneumatic		pneumatic		pneumatic		pneumatic		pneumatic		pneumatic	
2x / 2		2x / 2		2x / 2		2x / 2		2x / 2		2x / 2	
131	3,330	131	3,330	131	3,330	130	3,330	130	3,300	131	3,330
5.5	140	5.7	140	2.7	140	5.9	150	5.9	150	5.9	150
42 x 4 x 1.6	1,070 x 100 x 40	42 x 4 x 1.6	1,070 x 100 x 40	42 x 4 x 1.6	1,070 x 100 x 40	42 x 5 x 1.8	1,070 x 125 x 45	42 x 5 x 1.8	1,070 x 125 x 45	42 x 5 x 2.0	1,070 x 125 x 50
8.7 / 39.4	220 / 1,000	8.7 / 39.4	220 / 1,000	8.7 / 39.4	220 / 1,000	9.8 / 39.4	250 / 1,000	9.8 / 39.4	250 / 1,000	9.8 / 39.4	250 / 1,000
6 / 10		6 / 10		6 / 10		6 / 10		6 / 10		6 / 10	
97.8	2,485	100.8	2,560	100.8	2,560	107.7	2,735	107.7	2,735	108	2,740
45.5	1,160	45.5	1,160	45.5	1,160	50.0	1,270	50.0	1,270	50.0	1,270
64.5	1,640	64.5	1,640	64.5	1,640	67.5	1,710	67.5	1,710	67.5	1,710
84.5	2,150	84.5	2,150	84.5	2,150	85.5	2,170	85.5	2,170	85.5	2,170
42.6	1,080	43.0	1,090	43.0	1,090	44.9	1,140	44.9	1,140	44.9	1,140
81.7	2,074	81.7	2,074	81.7	2,074	82.4	2,093	84.0	2,130	84.0	2,130
180	4,570	180	4,570	180	4,570	179	4,550	179	4,550	180	4,570
86.5	2,200	87.8	2,230	87.8	2,230	93.7	2,380	93.7	2,380	96.0	2,440
17.9	454	18.1	459	18.1	459	19.5	495	19.5	495	19.3	490
104.4	2,654	105.9	2,689	105.9	2,689	113.2	2,875	113.2	2,875	115.3	2,930
11.8 / 12.1	19.0 / 19.5	11.8 / 12.1	19.0 / 19.5	11.8 / 12.1	19.0 / 19.5	11.8 / 12.1	19.0 / 19.5	11.8 / 12.1	19.0 / 19.5	11 / 11.5	17.7 / 18.5
120 / 125	610 / 640	125 / 130	630 / 650	120 / 125	610 / 640	99 / 100	500 / 520	96 / 100	490 / 510	99 / 100	500 / 520
98 / 98	500 / 500	98 / 98	500 / 500	98 / 98	500 / 500	98 / 98	500 / 500	98 / 98	500 / 500	98 / 98	500 / 500
3,992	17,756	3,705	16,481	3,948	17,560	4,058	18,050	3,859	17,168	3,975	17,680
4,477	19,914	4,345	19,326	4,411	19,620	4,742	21,092	4,345	19,326	4,500	20,020
35.6		28.7		30.2		26.4		24.5		19.1	
40.4 / 18.7		39.8 / 16.5		40.0 / 16.4		40.3 / 17.1		41.1 / 17.3		40.9 / 14.8	
7,610	3,450	7,990	3,620	8,210	3,720	9,400	4,260	9,640	4,370	10,150	4,600
10,060 / 1,550	4,720 / 730	11,570 / 1,420	5,450 / 670	11,650 / 1,560	5,490 / 730	13,790 / 1,610	6,390 / 870	13,890 / 1,750	6,550 / 820	14,590 / 2,060	6,880 / 970
3,340 / 4,270	1,510 / 1,940	3,190 / 4,800	1,440 / 2,180	3,260 / 4,950	1,480 / 2,240	3,860 / 5,540	1,700 / 2,560	3,920 / 5,720	1,770 / 2,600	3,790 / 6,360	1,710 / 2,890
7.0 x 12-12PR		7.0 x 12-12PR		7.0 x 12-12PR		28 x 9-15-12PR		28 x 9-15-12PR		250 x 15-12PR	
7.0 x 12-12PR		7.0 x 12-12PR		7.0 x 12-12PR		28 x 9-15-12PR		28 x 9-15-12PR		28 x 9-15-12PR	
6.0 x 9-10PR		6.0 x 9-10PR		6.0 x 9-10PR		6.50 x 10-10PR		6.50 x 10-10PR		6.50 x 10-10PR	
63.0	1,600	63.0	1,600	63.0	1,600	67.0	1,700	67.0	1,700	67.0	1,700
38.0	970	38.0	970	38.0	970	42.0	1,070	42.0	1,070	42.0	1,070
47.5	1,210	47.5	1,210	47.5	1,210	47.5	1,210	47.5	1,210	47.5	1,210
38.5	980	38.5	980	38.5	980	38.5	980	38.5	980	38.5	980
4.6	117	4.6	117	4.6	117	5.4	136	5.4	136	5.4	136
6.6	167	6.6	167	6.6	167	7.4	189	7.4	189	7.0	189
foot-operated, hydraulic		foot-operated, hydraulic		foot-operated, hydraulic		foot-operated, hydraulic		foot-operated, hydraulic		foot-operated, hydraulic	
hand-operated, mechanical		hand-operated, mechanical		hand-operated, mechanical		hand-operated, mechanical		hand-operated, mechanical		hand-operated, mechanical	
S4S		K21		S4S		K25		S4S		K25	
51.1	38.1	50.3	37.5	51.1	38.1	58.7	43.8	51.1	38.1	58.7	43.8
2,250		2,700		2,250		2,700		2,250		2,700	
136.4	185	111	151	136.4	185	137.2	186	136.4	185	137.2	186
1,700		1,800		1,700		1,600		1,700		1,600	
203	3.3	126	2.1	203	3.3	152	2.5	203	3.3	152	2.5
powershift		powershift		powershift		powershift		powershift		powershift	
1 / 1		1 / 1		1 / 1		1 / 1		1 / 1		1 / 1	
2,625	181	2,625	181	2,625	181	2,625	181	2,625	181	2,625	181
75.5		76.5		75.5		76.5		75.5		76.5	

CHARACTERISTICS			FD33N		FG35N		FD35N	
1	Capacity at rated load center	lb kg	6,500	3,250	7,000	3,500	7,000	3,500
2	Capacity at load center – distance	in mm	24	500	24	500	24	500
3	Power		diesel		gasoline / LP gas		diesel	
4	Tire type		pneumatic		pneumatic		pneumatic	
5	Wheels (x = driven)		2x / 2		2x / 2		2x / 2	
DIMENSIONS								
6	Maximum fork height – with standard two-stage mast	in mm	131	3,330	131	3,330	131	3,330
7	Free fork height – with standard two-stage mast	in mm	5.9	10	5.9	150	5.9	150
8	Fork dimensions – length x width x thickness	in mm	42 x 5 x 2.0	1,070 x 125 x 50	42 x 5 x 2.0	1,070 x 125 x 50	42 x 5 x 2.0	1,070 x 125 x 50
9	Fork spacing, out-to-out minimum / maximum	in mm	9.8 / 39.4	250 / 1,000	9.8 / 39.4	250 / 1,000	9.8 / 39.4	250 / 1,000
10	Tilt, forward / backward	deg	6 / 10		6 / 10		6 / 10	
11	Length to fork face	in mm	108	2,740	110.0	2,795	110.0	2,795
12	Overall width with standard tires	in mm	50.0	1,270	51.0	1,300	51.0	1,300
13	Overall width with optional duals	in mm	67.5	1,710	67.5	1,710	67.5	1,710
14	Height with lowered mast	in mm	85.5	2,170	91.0	2,310	91.0	2,310
15	Seat height	in mm	44.9	1,140	44.9	1,140	44.9	1,140
16	Height to top of overhead guard	in mm	84.0	2,130	82.8	2,103	82.8	2,103
17	Height with extended mast	in mm	180	4,570	180	4,570	180	4,570
18	Minimum outside turning radius	in mm	96.0	2,440	96.0	2,440	96.0	2,440
19	Load moment constant	in mm	19.3	490	19.5	495	19.5	495
20	Minimum aisle – 90° stack – zero clearance without load	in mm	115.3	2,930	115.5	2,935	115.5	2,935
PERFORMANCE								
21	Travel speed, loaded / empty	mph km/h	10.5 / 11.5	16.9 / 18.5	11.8 / 12.1	19 / 19.5	11.8 / 12.1	19 / 19.5
22	Lift speed, loaded / empty	fpm mm/s	96 / 100	490 / 510	83 / 86	420 / 440	80 / 85	410 / 430
23	Lowering speed, loaded / empty	fpm m/s	98 / 98	500 / 500	98 / 98	500 / 500	98 / 98	500 / 500
24	Drawbar pull loaded (60-minute rating)	lb N	3,700	16,460	3,837	17,069	3,683	16,383
25	Drawbar pull loaded maximum (5-minute rating)	lb N	4,134	18,390	4,455	19,816	4,102	18,247
26	Gradeability loaded at 1 mph (1.6 km)	%	20.6		21.9		20.6	
27	Gradeability maximum, loaded / empty	%	40.6 / 14.9		39.7 / 14.6		40.6 / 14.9	
WEIGHT								
28	Empty	lb kg	13,390	4,710	10,340	4,690	10,590	4,800
29	Axle load with rated load, front / rear (est.)	lb kg	14,700 / 2,190	6,920 / 1,040	15,400 / 1,990	7,250 / 940	15,500 / 2,130	7,300 / 1,000
30	Axle load without load, front / rear (est.)	lb kg	3,890 / 6,500	1,760 / 2,950	3,700 / 6,640	1,680 / 3,010	3,820 / 6,770	1,730 / 3,070
CHASSIS								
31	Tire size – front (standard)	in	250 x 15-12PR		250 x 15-12PR		250 x 15-12PR	
32	Tire size – front (optional duals)	in	28 x 9-15-12PR		28 x 9-15-12PR		28 x 9-15-12PR	
33	Tire size – rear	in	6.50 x 10-10PR		6.50 x 10-12PR		6.50 x 10-12PR	
34	Wheelbase	in mm	67.0	1,700	67.0	1,700	67.0	1,700
35	Tread width – front (standard tires)	in mm	42.0	1,070	42.0	1,070	42.0	1,070
36	Tread width – front (optional duals)	in mm	47.5	1,210	47.5	1,210	47.5	1,210
37	Tread width – rear	in mm	38.5	980	38.5	980	38.5	980
38	Ground clearance at lowest point of mast	in mm	5.4	136	5.4	146	5.4	146
39	Ground clearance at center of wheelbase	in mm	7.0	189	7.0	202	7.0	202
40	Service brakes	type	foot-operated, hydraulic		foot-operated, hydraulic		foot-operated, hydraulic	
41	Parking brakes	type	hand-operated, mechanical		hand-operated, mechanical		hand-operated, mechanical	
ELECTRICAL								
42	Engine model		S4S		K25		S4S	
43	Continuous output S.A.E. gross	HP kW	51.1	38.1	58.7	43.8	51.1	38.1
44		at rpm	2,250		2,700		2,250	
45	Maximum torque S.A.E. gross	lb-ft Nm	136.4	185	137.2	186	136.4	185
46		at rpm	1,700		1,600		1,700	
47	Cylinders / displacement	cu in L	203	3.3	152	2.5	203	3.3
48	Transmission type		powershift		powershift		powershift	
49	Number of speeds, forward / reverse		1 / 1		1 / 1		1 / 1	
50	Relief pressure for attachments	psi bar	2,625	181	2,625	181	2,625	181
51	Noise level – mean value at operator's ear Leq	dB(A)	75.5		76.5		75.5	

SAFETY STANDARDS

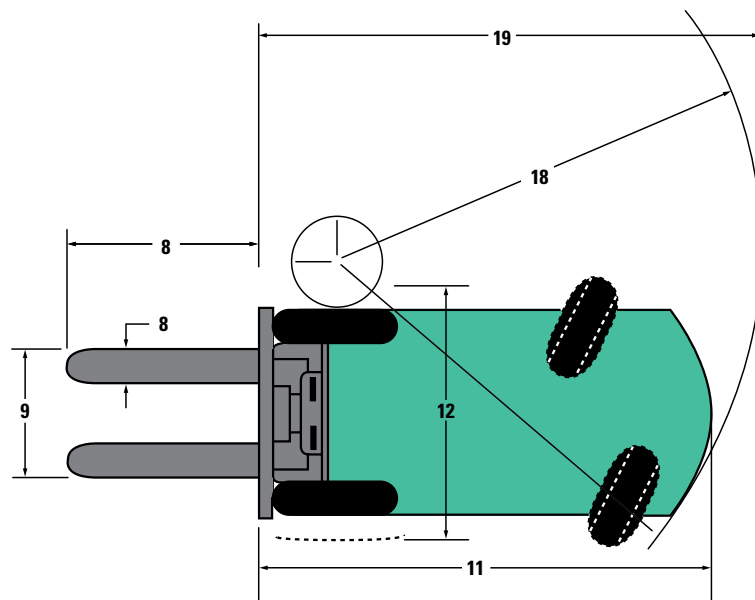
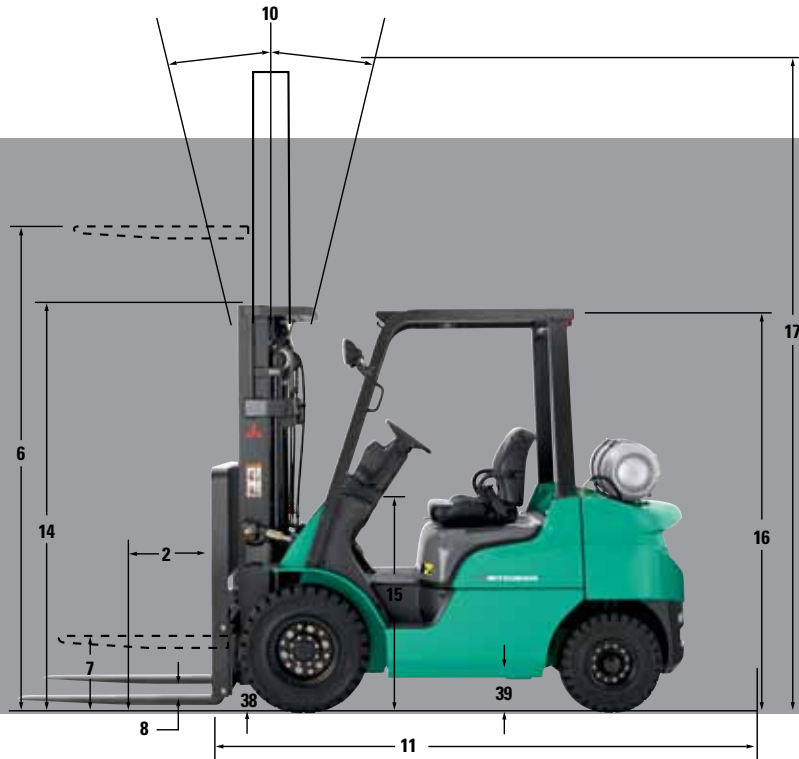
These trucks meet American National Standards Institute/Industrial Truck Standards Development Foundation, ANSI/ITSDF B56.1. UL-Classified by Underwriters Laboratories, Inc., as to fire and electric shock hazard only. Availability: Types G, LP and D standard. Types GS, LPS and DS optional. Users should be aware of, and adhere to, applicable codes and regulations regarding operator training, use, operation and maintenance of powered industrial trucks, including:

- ANSI/ITSDF B56.1.
- NFPA 505, fire safety standard for powered industrial trucks -type designations, areas of use, maintenance and operation.
- Occupational Safety and Health Administration (OSHA) regulations that may apply.

Specifications, equipment, technical data, photos and illustrations based on information at time of printing and subject to change without notice. Some products may be shown with optional equipment.

Call-out numbers shown in the diagram below correspond to the first column of the specifications chart.

FG15N-FG35N FD20N-FD35N



GOING THE EXTRA MILE.

HELPING KEEP OPERATORS AND PRODUCTS SECURE REQUIRES CONSTANT AWARENESS



Mitsubishi Forklift Trucks offers a selection of options designed specifically to help minimize risk and keep operators, pedestrians and your assets secure in the work environment.

Integrated Presence System:

The FG15N-FG35N / FD20-FD35N series is built to help protect the operator and surrounding personnel. Each forklift comes standard with the Integrated Presence System (IPS), which is designed to disengage all powered travel and some hydraulic functions when the operator leaves the normal operating position. A warning alarm will also sound and an indicator on the dash will appear if the operator leaves the compartment without applying the parking brake or forgets to fasten their seat belt.

Additional Options To Help Minimize Risk:

- **Rear grab bar with horn button** – This option allows the operator to easily access the horn while traveling in reverse, while the ergonomic placement of the rear grab bar creates a secure grip.
- **Ground speed control** – This programmable feature regulates top speeds and acceleration in environments where caution should be exercised.
- **Swing-down LP tank bracket** – Helping to reduce operator strain, this option makes it easier to remove and replace the empty fuel tank.
- **Light, strobe and alarm packages** – In dimly lit work areas, the optional front LED lights, rear work lights and strobe packages enhance operator visibility, while increasing the visibility of the forklift to others working in the same area.
- **Orange seat belt** – This bright alternative allows supervisors or safety managers to easily monitor whether operators are wearing their seat belts.
- **Thermoformed overhead guard cover** – This plastic cover, offered in both clear or tinted, will help protect the operator from the elements while still allowing visibility through the overhead guard.

The Integrated Presence System provides audible and visual reminders to the operator.

Ground speed control allows you to set limits for the forklift's top speeds, especially useful in applications with pedestrian traffic.



FG15N-FG35N FD20N-FD35N

3,000-7,000 LB CAPACITY PNEUMATIC TIRE FORKLIFT

Exceptional Value

More Than 296,000 Parts To Keep You Running

Mitsubishi Forklift Trucks offers several parts programs, all designed to bring you top performance and convenience for your material handling needs. Contact your local dealer to put our services to work for you.

Support To Fit Your Operation

Find out why more companies are relying on Mitsubishi forklift truck dealers to keep their fleet operating at top performance. Our efficiency provides customers with a better return on investment, and qualified service technicians, diverse parts inventory and unparalleled selection of service options can help reduce your total cost of ownership.

Extensive Dealer Network

The Mitsubishi forklift truck dealer network is dedicated to finding the right forklift solution for your business. With more than 300 dealer locations, you can rely on your local dealer to provide the service you need when you need it most.



Manufactured with superior quality and exceptional value, Mitsubishi forklift trucks are supported by an extensive dealer and field support network located throughout North and South America. Don't forget to ask your local Mitsubishi forklift truck dealer about details on factory retail programs, financing plans and additional options and dealer services like planned maintenance and operator training.



READY. RELIABLE. RIGHT ON THE MONEY.

Copyright © 2012. All rights reserved. All registered trademarks are the property of their respective owners. Some products may be shown with optional equipment. Printed in U.S.A.